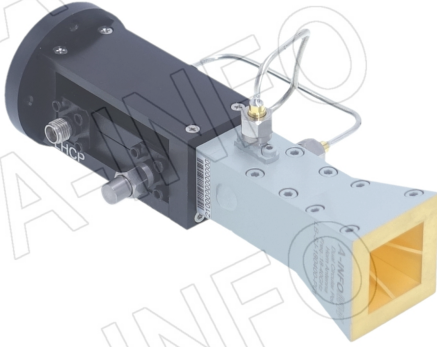


For reference only. See data sheet for the detailed specifications.

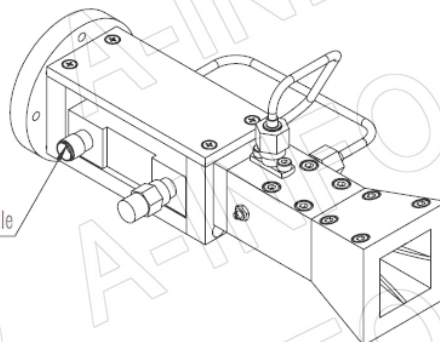
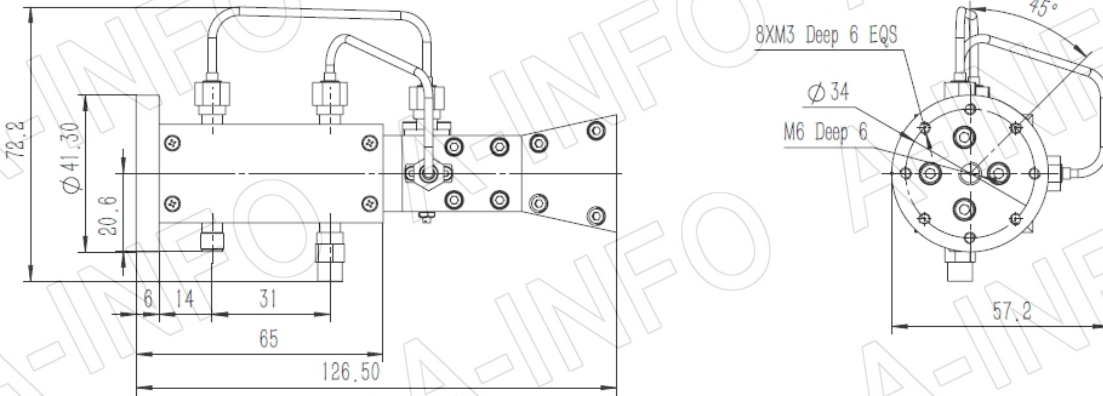
Technical Specification



Frequency Range(GHz)	18.0 – 40.0
Gain(dBic)	13 Typ.
Polarization	LHCP
Axial Ratio(dB)	1.5 Typ.
	3.0 Max.
3dB Beamwidth(deg)	E Plane: 51 - 26
	H Plane: 51 - 27
VSWR	2.0:1 Max.
Connector	2.92mm-Female
Power Handling(W CW)	20 Max.
Material	Cu
Finish	Gold Plated and Anodizing, Gray Paint
Size(mm)	57.2 x 72.2 x 126.5
Net Weight(Kg)	0.38 Around

Outline Drawing (Size: mm)

2.92mm-Female Output (P/N: LB-SJ-180400-P01)



AINFO Inc.

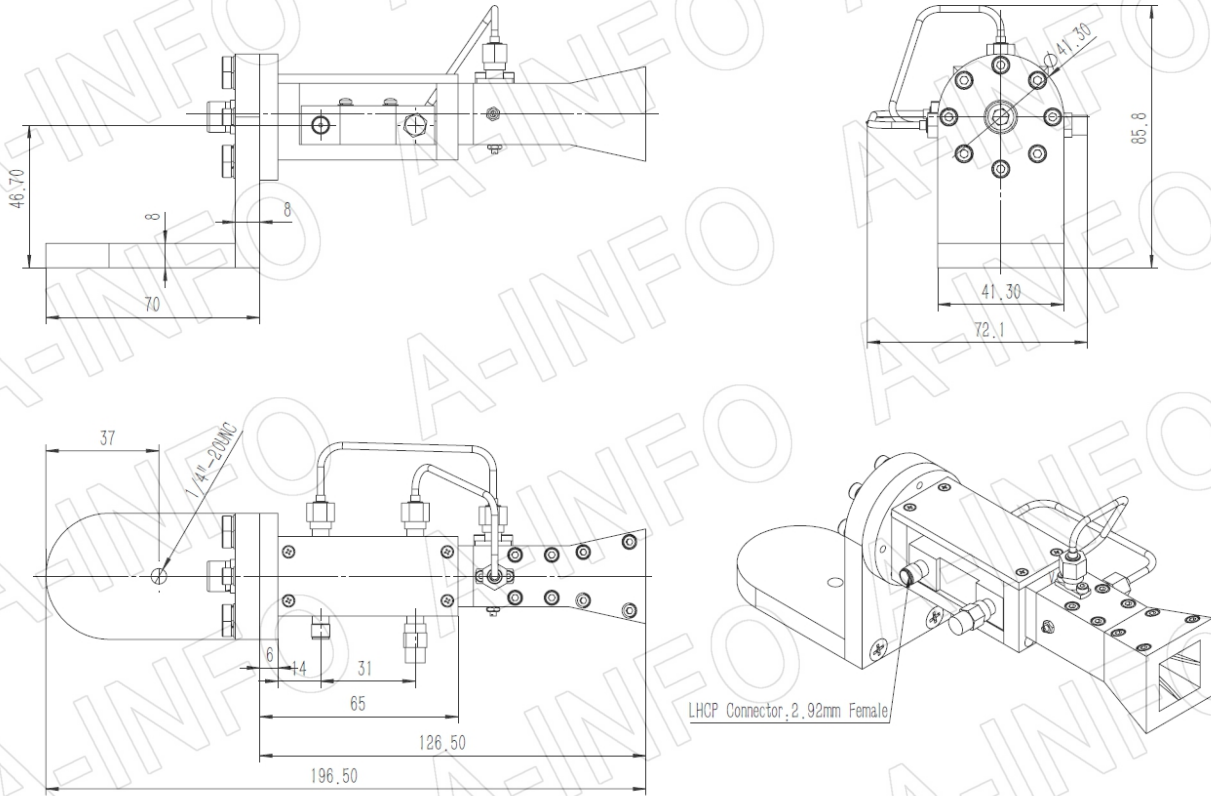
China(Beijing): Tel: (+86) 10-6266-7326,
China(Chengdu): Tel: (+86) 28-8519-2786,
USA: Tel: (+1) 949-639-9688,

Page 1 of 13

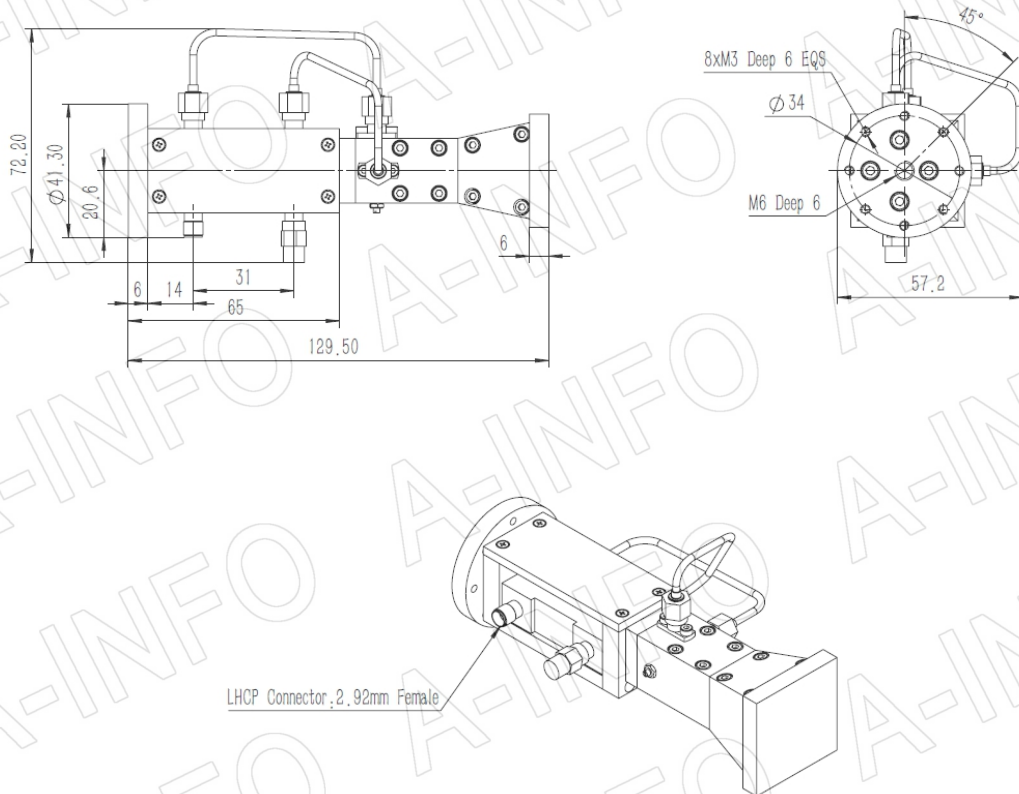
(+86) 10-6266-7327 Fax: (+86) 10-6266-7379
(+86) 28-8519-3044 Fax: (+86) 28-8519-3068
(+1) 949-639-9608 Fax: (+1) 949-639-9670

Website: www.ainfoinc.com
Email: sales@ainfoinc.com

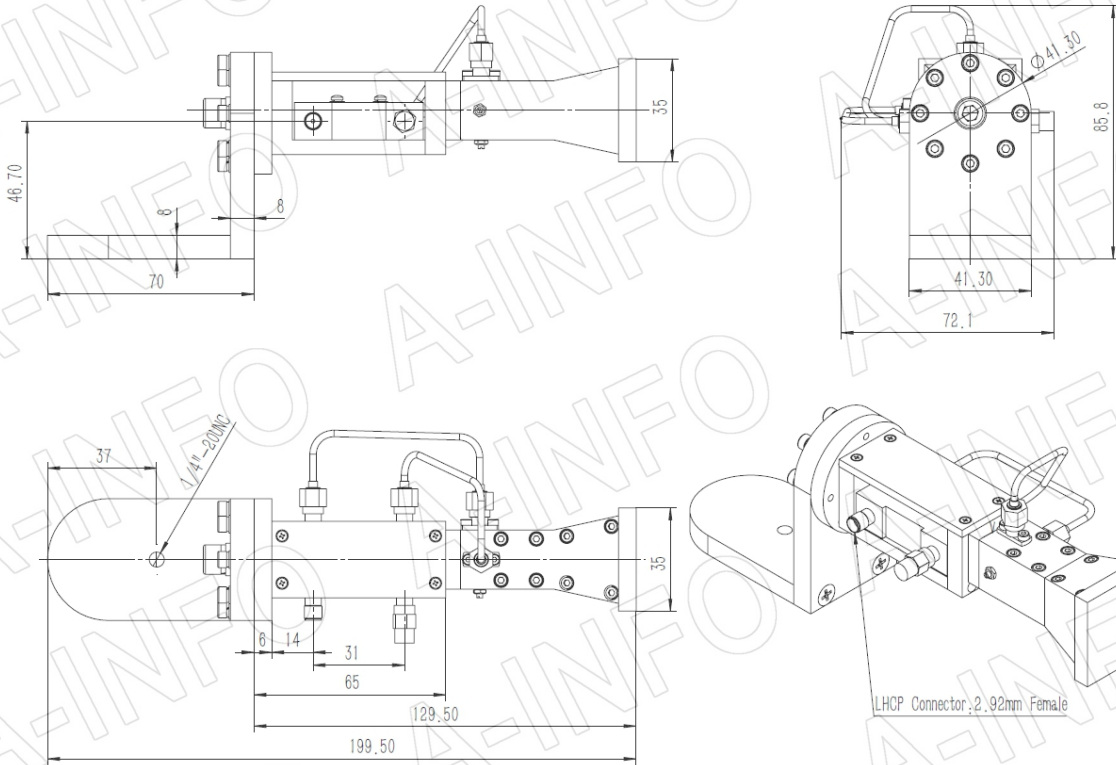
2.92mm-Female Output with L Type Mounting Bracket (Option, P/N: LB-20180-L)



2.92mm-Female Output with Radome (Option, P/N: LB-SJ-180400-P01SPO, Application Outdoor)

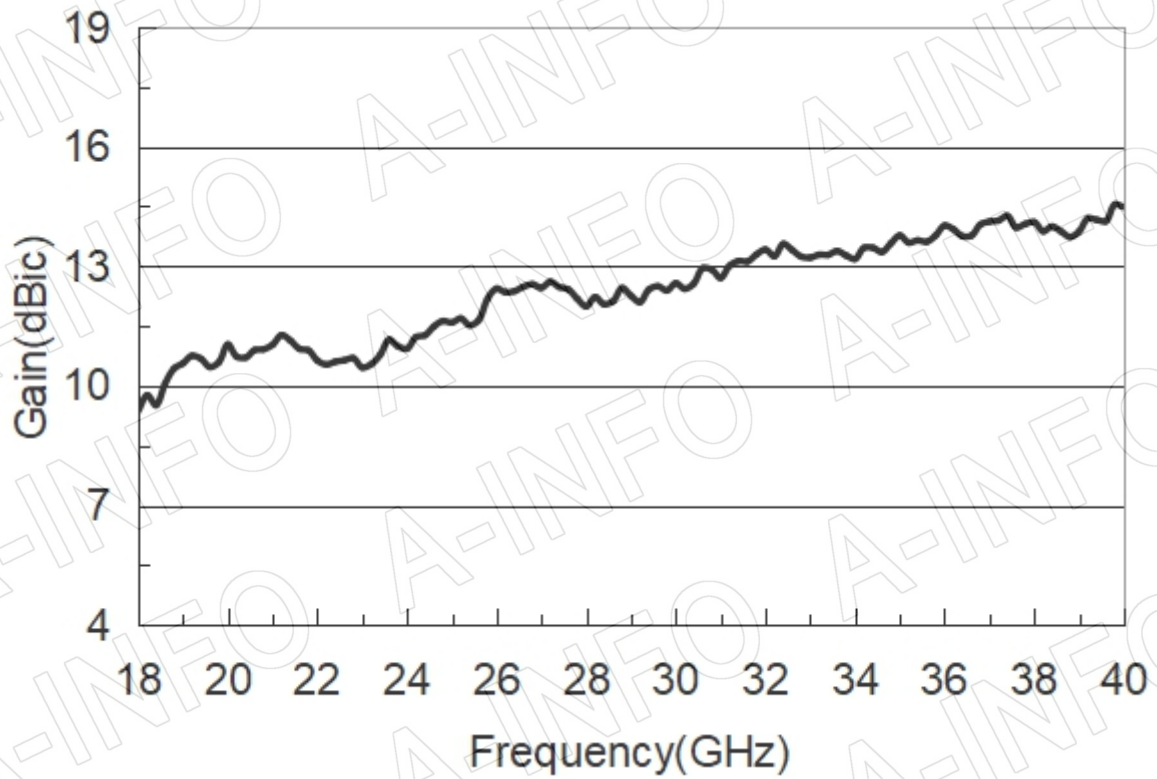


2.92mm Female Output with L Type Mounting Bracket & Radome (Option, P/N: LB-20180-L & LB-SJ-180400-P01SPO, Application Outdoor)

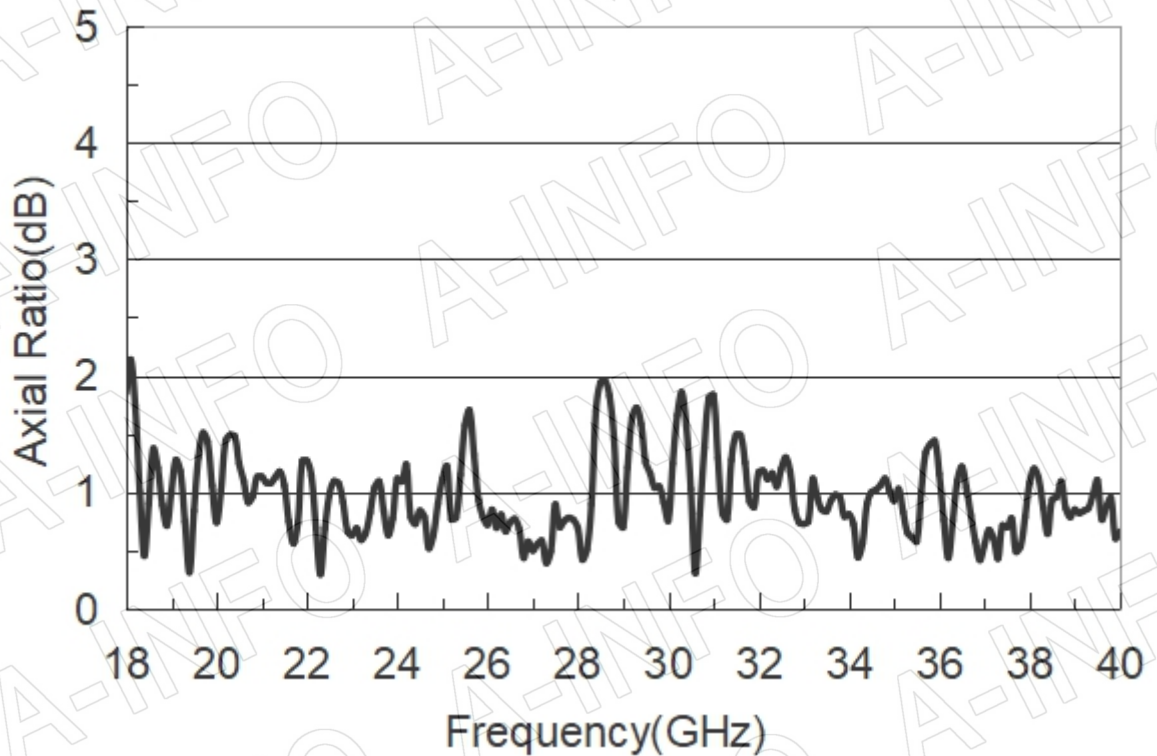


Test Results

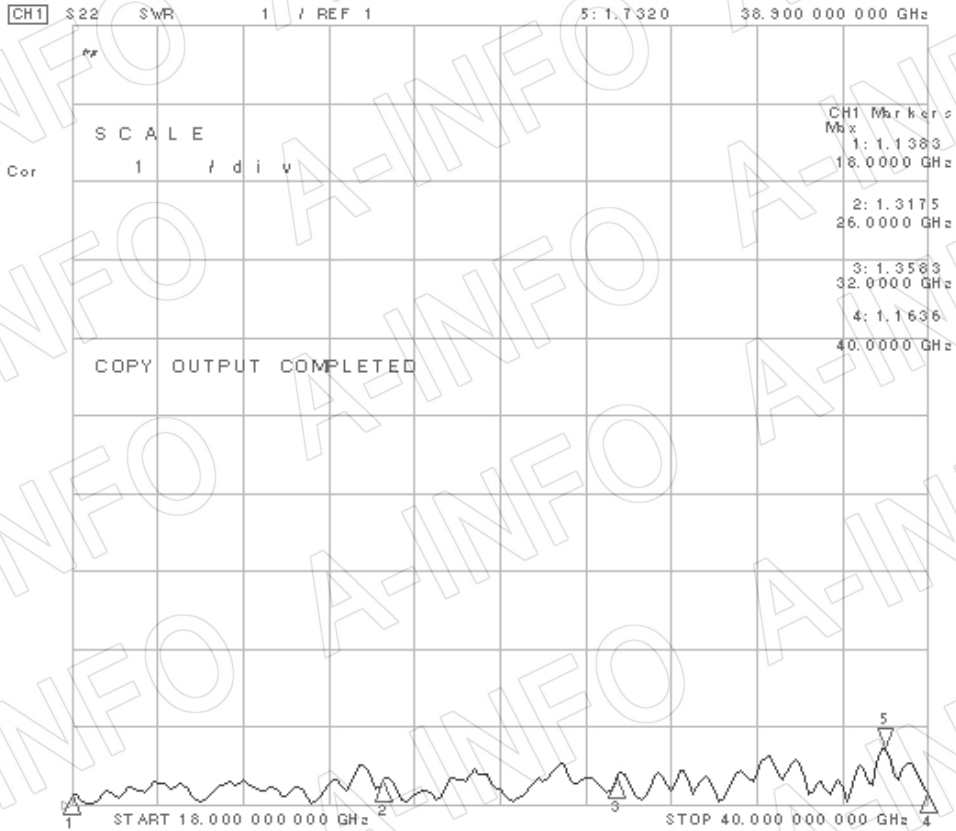
1. Gain



2. Axial Ratio



3. VSWR



4. Pattern

